



**Product Highlights:**

- Supplied with 5-pin NEMA socket as standards
- Power range from 30W to 330W
- Independent 10KV surge protection
- No tools for maintenance and replacement
- Flicker free
- 10-Year Warranty

# Light is intelligent

## SIMPLITZ<sup>®</sup> Streetlight V2 Pro

An intelligent street light for all road lighting applications

## SIMPLITZ® Streetlight V2 Pro



SIMPLITZ® Streetlight V2 Pro Edition is OSRAM's advanced street lamp, which can provide 10 years warranty and be easy connected to intelligent street lamp controller, perfect access to the smart city control system with 0-10V dimming function. Streamline appearance, humanized structure, precise optical design, extra-long lifetime, to provide beautiful, reliable, energy-saving lighting solutions for street lighting solution, to ensure street safety and pedestrian comfort. SIMPLITZ® Street Light V2 Pro Edition is suitable for the lighting application of various streets, such as urban express way and urban major road.

### Advantages & Benefits

#### High reliability and longevity

- Provide 10 years warranty
- Lumen maintenance L80-100000 hours @Ta35°C
- Robust aluminum body
- Operating temperature: -40°C to +55°C
- Independent 10KV surge protection
- PC lens + Tempered glass

#### Perfectly integrated into smart city control

- NEAM interface for smart street controller
- 0-10V Dim
- Flicker free

#### Easy to maintain

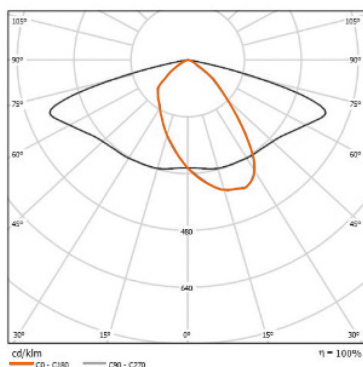
- All parts replaceable design
- Suitable for mounting on Ø40~60mm diameter
- Tilt angle adjustable
- Separate spigot enables side-entry and post-top installations

### Applications

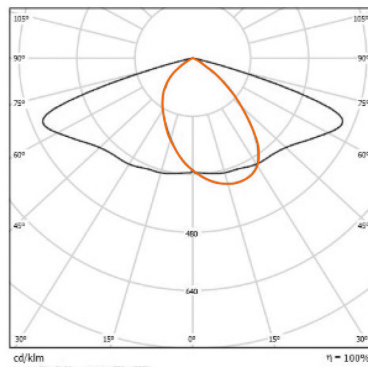
- Urban street lighting (Express way, Major road,
- Collector road, Local road)
- Residential and commercial road lighting
- Industrial areas road lighting
- Pathway Lighting
- Carpark and area lighting

### Photometrics

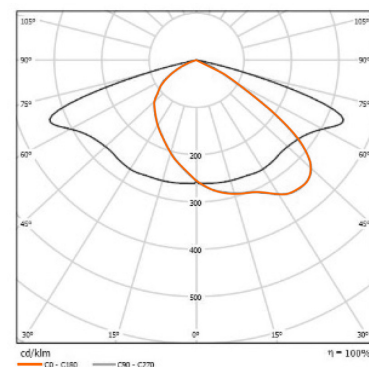
SNB (155×55±5deg)



SMB (150×68±5deg)



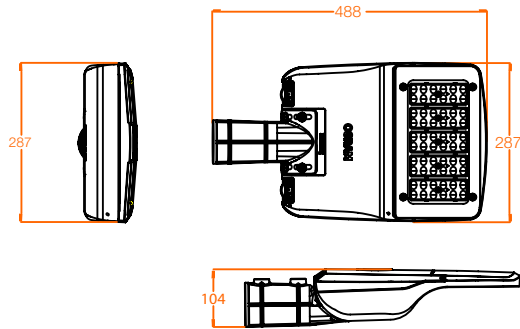
SWB (150×75±5deg)



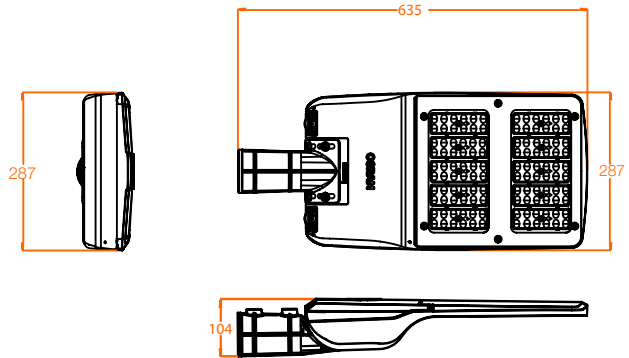
# SIMPLITZ® Streetlight V2 Pro

## Dimensions

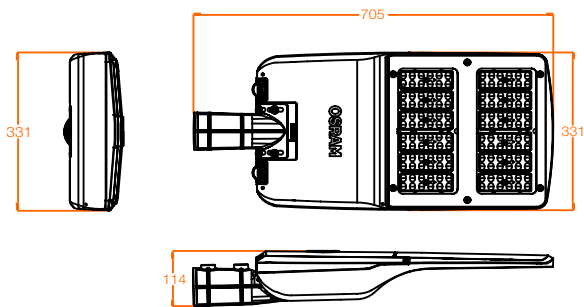
30W-90W



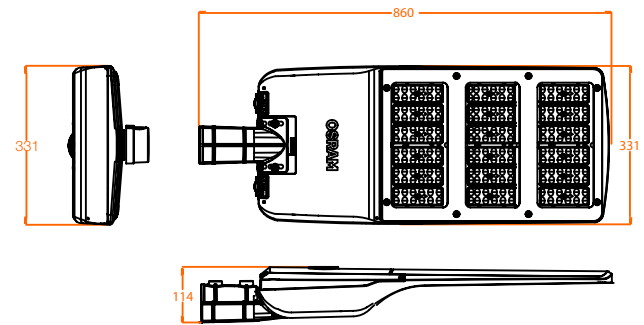
120W-150W



180W-210W



240W-300W



## Product Overview

Product Reference	Product Code	Power (W)	Lumens	Beam Angle	Fixture Dimension (mm)	Fixture Weight (Kg)
SIM ST V2P 30W 840 SNB NEMA VS2	SIMSTV230W840SNB	30W	4050	SNB	488*287*103	4.8
SIM ST V2P 30W 840 SMB NEMA VS2	SIMSTV230W840SMB	30W	4050	SMB	488*287*103	4.8
SIM ST V2P 30W 840 SWB NEMA VS2	SIMSTV230W840SWB	30W	4050	SWB	488*287*103	4.8
SIM ST V2P 60W 840 SNB NEMA VS2	SIMSTV260W840SNB	60W	8100	SNB	488*287*103	4.8
SIM ST V2P 60W 840 SMB NEMA VS2	SIMSTV260W840SMB	60W	8100	SMB	488*287*103	4.8
SIM ST V2P 60W 840 SWB NEMA VS2	SIMSTV260W840SWB	60W	8100	SWB	488*287*103	4.8
SIM ST V2P 90W 840 SNB NEMA VS2	SIMSTV290W840SNB	90W	12150	SNB	488*287*103	4.8
SIM ST V2P 90W 840 SMB NEMA VS2	SIMSTV290W840SMB	90W	12150	SMB	488*287*103	4.8
SIM ST V2P 90W 840 SWB NEMA VS2	SIMSTV290W840SWB	90W	12150	SWB	488*287*103	4.8
SIM ST V2P 120W 840 SNB NEMA VS1	SIMSTV2120W840SNB	120W	16200	SNB	636*287*103	6.3
SIM ST V2P 120W 840 SMB NEMA VS1	SIMSTV2120W840SMB	120W	16200	SMB	636*287*103	6.3
SIM ST V2P 120W 840 SWB NEMA VS1	SIMSTV2120W840SWB	120W	16200	SWB	636*287*103	6.3
SIM ST V2P 150W 840 SNB NEMA VS1	SIMSTV2150W840SNB	150W	20250	SNB	636*287*103	6.3
SIM ST V2P 150W 840 SMB NEMA VS1	SIMSTV2150W840SMB	150W	20250	SMB	636*287*103	6.3
SIM ST V2P 150W 840 SWB NEMA VS1	SIMSTV2150W840SWB	150W	20250	SWB	636*287*103	6.3
SIM ST V2P 180W 840 SNB NEMA VS1	SIMSTV2180W840SNB	180W	24300	SNB	705*331*113	8.7

# SIMPLITZ® Street Light V2 Pro

Product Reference	Product Code	Power (W)	Lumens	Beam Angle	Fixture Dimension (mm)	Fixture Weight (Kg)
SIM ST V2P 180W 840 SMB NEMA VS1	SIMSTV2180W840SMB	180W	24300	SMB	705*331*113	8.7
SIM ST V2P 180W 840 SWB NEMA VS1	SIMSTV2180W840SWB	180W	24300	SWB	705*331*113	8.7
SIM ST V2P 210W 840 SNB NEMA VS1	SIMSTV2210W840SNB	210W	28350	SNB	705*331*113	8.7
SIM ST V2P 210W 840 SMB NEMA VS1	SIMSTV2210W840SMB	210W	28350	SMB	705*331*113	8.7
SIM ST V2P 210W 840 SWB NEMA VS1	SIMSTV2210W840SWB	210W	28350	SWB	705*331*113	8.7
SIM ST V2P 240W 840 SNB NEMA VS1	SIMSTV2240W840SNB	240W	32400	SNB	860*331*113	10.8
SIM ST V2P 240W 840 SMB NEMA VS1	SIMSTV2240W840SMB	240W	32400	SMB	860*331*113	10.8
SIM ST V2P 240W 840 SWB NEMA VS1	SIMSTV2240W840SWB	240W	32400	SWB	860*331*113	10.8
SIM ST V2P 270W 840 SNB NEMA VS1	SIMSTV2270W840SNB	270W	36450	SNB	860*331*113	10.8
SIM ST V2P 270W 840 SMB NEMA VS1	SIMSTV2270W840SMB	270W	36450	SMB	860*331*113	10.8
SIM ST V2P 270W 840 SWB NEMA VS1	SIMSTV2270W840SWB	270W	36450	SWB	860*331*113	10.8
SIM ST V2P 300W 840 SNB NEMA VS1	SIMSTV2300W840SNB	300W	40500	SNB	860*331*113	10.8
SIM ST V2P 300W 840 SMB NEMA VS1	SIMSTV2300W840SMB	300W	40500	SMB	860*331*113	10.8
SIM ST V2P 300W 840 SWB NEMA VS1	SIMSTV2300W840SWB	300W	40500	SWB	860*331*113	10.8
SIM ST V2P 330W 840 SNB NEMA VS1	SIMSTV2330W840SNB	330W	44550	SNB	860*331*113	10.8
SIM ST V2P 330W 840 SMB NEMA VS1	SIMSTV2330W840SMB	330W	44550	SMB	860*331*113	10.8
SIM ST V2P 330W 840 SWB NEMA VS1	SIMSTV2330W840SWB	330W	44550	SWB	860*331*113	10.8

## Specification

<b>Body Material:</b>	Aluminum
<b>Body Colour:</b>	Silver
<b>Mounting Diameter:</b>	Ø40~60mm
<b>Optical Construct:</b>	PC Lens and Toughened glass
<b>IP Rating:</b>	IP66
<b>IK Rating:</b>	IK08
<b>Efficacy:</b>	135 lm/W
<b>Beam Angle:</b>	SNB (155° x 55°) SMB (150° x 80°) SWB (150° x 75°)
<b>CRI:</b>	80
<b>SDCM:</b>	5

<b>CCT</b>	4000K
<b>Operating Temperature:</b>	-40°C-55°C
<b>Input:</b>	100-240
<b>Surge Protection:</b>	10KV
<b>Shorting Cap:</b>	Yes
<b>Smart:</b>	5-pin NEMA
<b>Dimming:</b>	0-10V Dimmable, DALI
<b>Lifespan:</b>	L80-100000 hours @Ta35°C
<b>Total Harmonic Distortion:</b>	≤15%
<b>Warranty</b>	10 Years

Sales enquiry:

# HANECO



Find out more  
[info@haneco.com.au](mailto:info@haneco.com.au)  
[haneco.com.au](http://haneco.com.au)  
 1300 001 LED (533)

**TRAXON | e2cue**  
 MEMBER OF PROSPERITY GROUP

# OSRAM

OSRAM is a trademark of OSRAM GmbH.  
 TRAXON is a licensee of product trademark OSRAM for a fixed list of General Lighting product.  
 Haneco Lighting Australia is a Traxon distributor of OSRAM products in Australia, New Zealand and Pacific Islands.